

quick guide

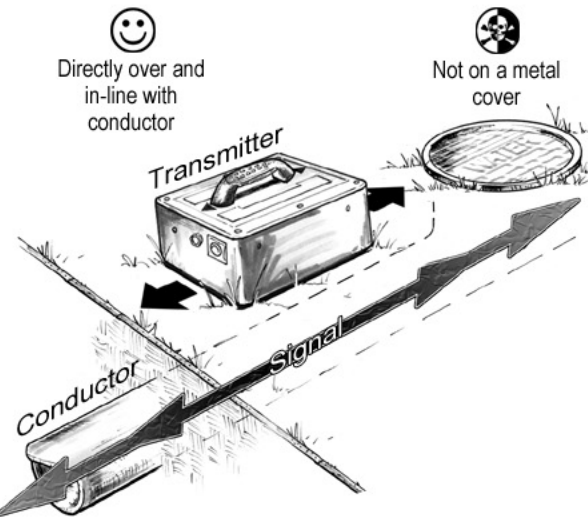
800-952-3710
www.pipehorn.com

Pipehorn
LOCATING TECHNOLOGY

800 Series

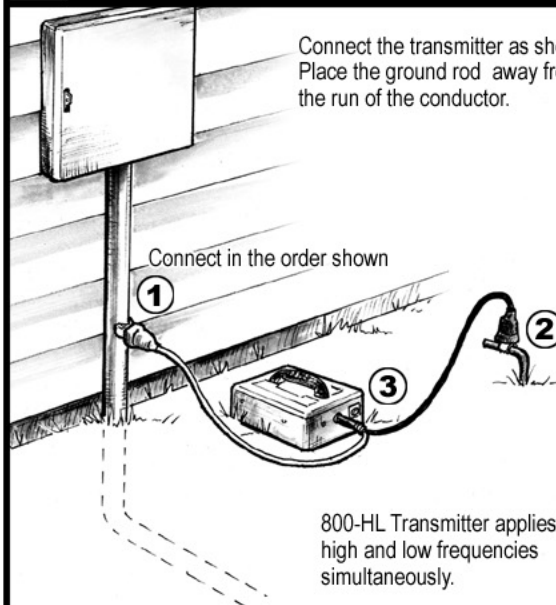
1 No Hook-Up

To induce the strongest signal, place the transmitter as shown.



2 Direct Connect

Connect the transmitter as shown. Place the ground rod away from the run of the conductor.



3 About the Receiver

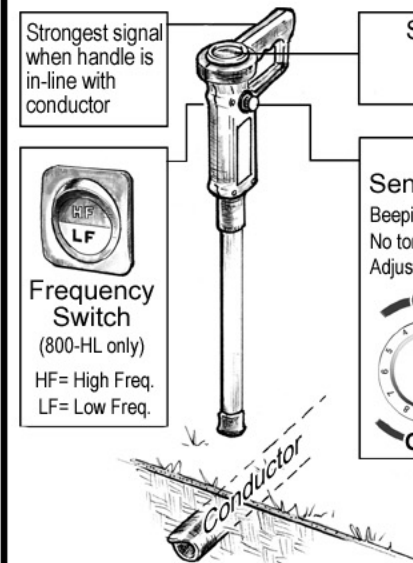
Strongest signal when handle is in-line with conductor

Signal Meter
0 = Weak
10 = Strong

Frequency Switch
(800-HL only)
HF= High Freq.
LF= Low Freq.

On/Off Sensitivity Control
Beeping - turn it down
No tone - turn it up
Adjust for a steady tone

ON
Minimum
OFF
Maximum Sensitivity

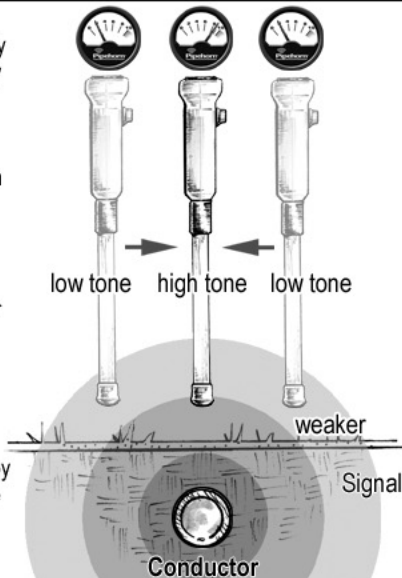


4 Pinpointing

1. Adjust Sensitivity Control for a steady tone.

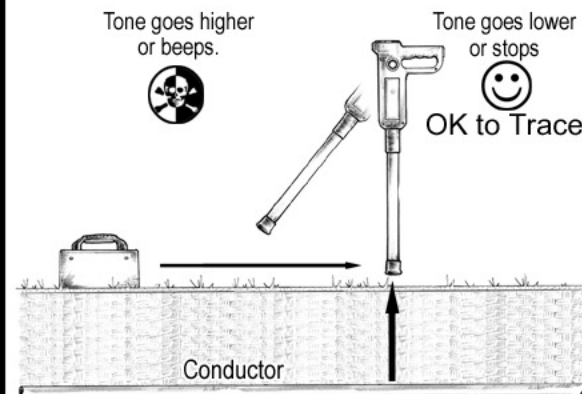
2. Scan in direction of higher tone (moving toward target). If tone beeps, stop and adjust sensitivity for a lower tone, then continue in same direction.

3. Pinpoint target by finding highest tone (with lower tone to left and to right).



5 Check for Air Coupling

After pinpointing, raise receiver and point it at transmitter. If signal gets weaker, you're on a conductor. If signal gets stronger, you're either too close to the transmitter or not on a conductor.



6 Reminders

• This Quick Guide is not intended to replace the User's Manual. It contains basic Pipehorn operating procedures and equipment description. Read the User's Manual thoroughly to get the most from your Pipehorn.

• **Warranty & Repairs:** Your new Pipehorn has a 3-year warranty against defects. Generally, repairs are completed within two days after receipt. Simply send your Pipehorn along with your contact information to:

Pipehorn Repair Department
2900 Commerce Blvd.
Birmingham, Alabama 35210

If you have questions, comments, or need help with a tough locate, feel free to contact us at:

800-952-3710
info@pipehorn.com